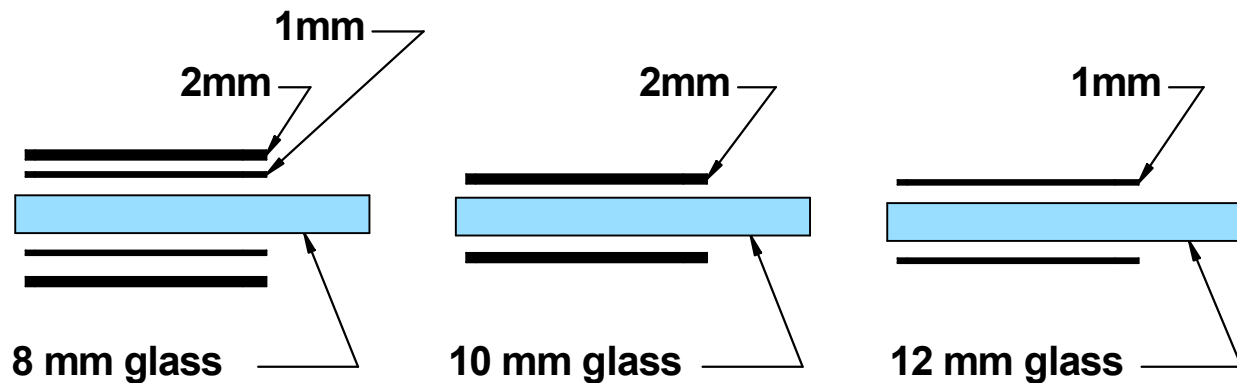




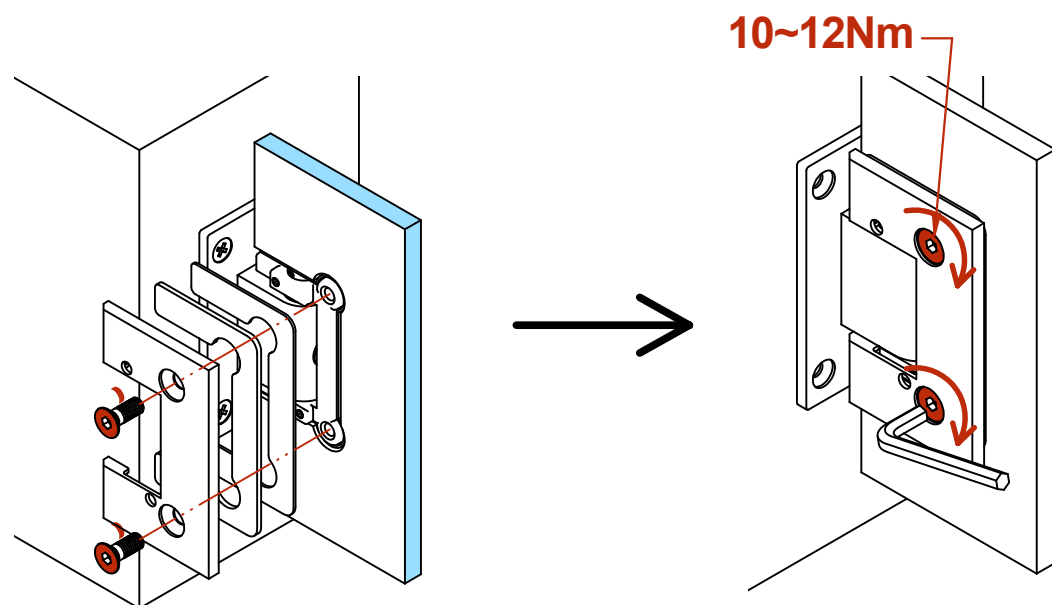
**ROCA**

## Adjustable Shower Hinges

### 1. Gaskets :



### 2. Tighten torque :

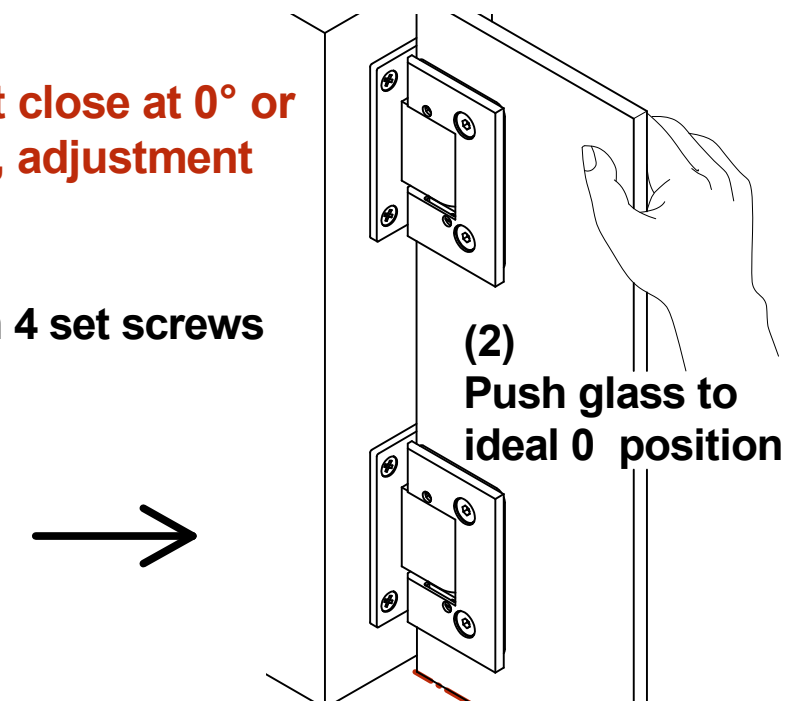
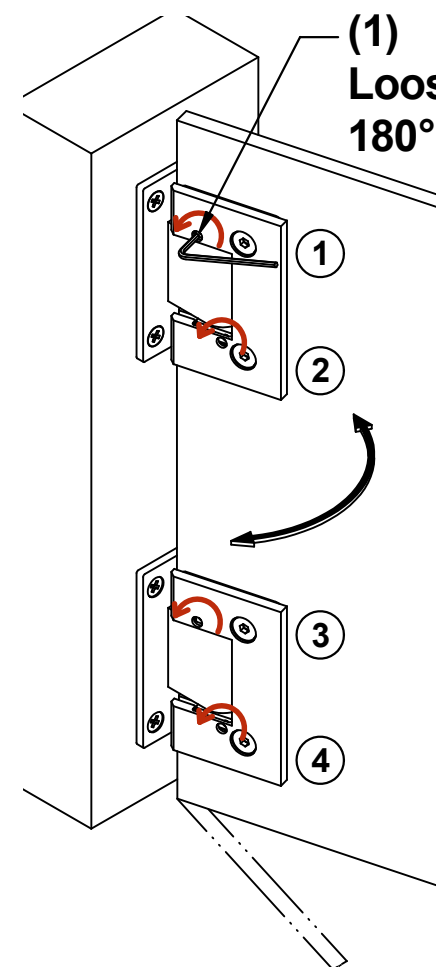


If need to install 3rd hinge for heavy door, please do not install the 3rd hinge in the center of door, the correct position should be about 8" (=20cm) under the top hinge.

### 3. How to adjust :



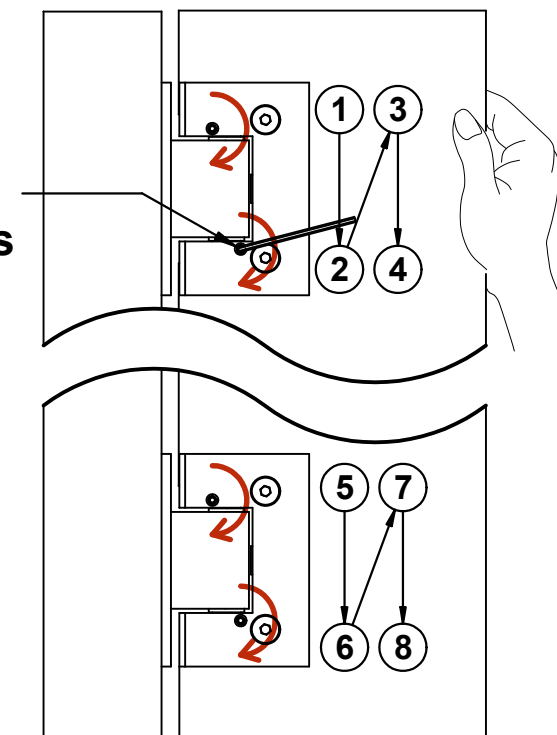
Only if the door can not close at 0° or line up with side panel , adjustment will be required .



Ideal 0° position (desired position)

(3) Holding the door

(4) Tighten 4 set screws in turns



If the set screws are loose, it could caused thread damage or noise when you close or open the glass door.